



# Q-130/170 Ice Cube Machines

## Models

- |                                   |                                   |                                   |
|-----------------------------------|-----------------------------------|-----------------------------------|
| <input type="checkbox"/> QD-0132A | <input type="checkbox"/> QY-0134A | <input type="checkbox"/> QD-0172A |
| <input type="checkbox"/> QD-0133W | <input type="checkbox"/> QY-0135W | <input type="checkbox"/> QY-0174A |



Q-130



Q-170

### Refreshing! The New Manitowoc Undercounters

- Ranging from 135 lbs. (61 kgs) to 175 lbs. (79 kgs) daily ice production
- ENERGY STAR® energy and water use rating
- Only 26" (66.04 cm) wide, 26.50" (67.31 cm) deep, and 38.50" (82.55 cm) high on 6" (15.24 cm) legs
- 80 lb. (36.6 kg) ice storage capacity

## Standard Features

- **Wide Assortment** - undercounter sizes to meet every ice need
- **Updated Aesthetics** - Clean, crisp coordinated bin interior
- **Convenient Access to Ice** - Ergonomic angled bin door providing visibility and easy access to ice without bending over
- **Enhanced Function** - EZ slide door elevates the user experience and improves product reliability
- **Improved Sanitation** - AlphaSan® added to key internal components to extend time between cleanings
- **Simplified Installation** - New flat right angle plug for easier installation in tight spaces
- Manitowoc proven vertical evaporator using proprietary technology – made in Manitowoc, WI.
- Bin door slides up and out of the way for maximum access
- Stainless steel exterior
- Patented cleaning and sanitizing technology
- R-404A CFC-free refrigerant

## Warranty

- 5-year parts and 5-year labor coverage on ice machine evaporator
- 5-year parts and 3-year labor coverage on ice machine compressor
- 3-year parts-and-labor coverage on all other ice machine, dispenser, and storage bin components

## Specifications

### BTU Per Hour:

Q-130: 2,400 (average)  
2,900 (peak)

Q-170: 2,200 (average)  
2,600 (peak)

### Compressor:

Nominal rating: .42 HP

### Cupra-Nickel Condenser:

(Water-cooled models)  
Adds protection from corrosive water elements.

### Operating Limits:

• Ambient Temperature Range:  
40° to 110°F (4.4° to 43.3°C)

• Water Temperature Range:  
45° to 90°F (4.4° to 32.2°C)

• Water Pressure Ice Maker  
Water In:  
Min. 20 psi (137.9 kPa)  
Max. 80 psi (551.1 kPa)

• Condenser Inlet Water In:  
(Water-cooled only)  
Min. 20 psi (137.9 kPa)  
Max. 150 psi (1,034.2 kPa)

## Ice Shape



Half Dice  
3/8" x 1 1/8" x 7/8"  
(.95 x 2.86 x 2.22 cm)



Dice  
7/8" x 7/8" x 7/8"  
(2.22 x 2.22 x 2.22 cm)

## Ice Machine Electric

115/60/1. (208-230/60/1 and 230/50/1 available.) 115/60/1 ice machines are factory pre-wired with a 6' (180 cm) power cord and NEMA 5-15P-plug configuration. 208-230/60/1 ice machines are factory pre-wired with a 6' (180 cm) power cord only, no plug is supplied.

### Total Amps:

Q-130: 115/60/1: Air-cooled: 7.0 amps / Water-cooled: 6.3 amps  
208-230/60/1: Air-cooled: 3.1 amps / Water-cooled: 2.6 amps

Q-170: 115/60/1: Air-cooled: 7.2 amps

### Maximum fuse size:

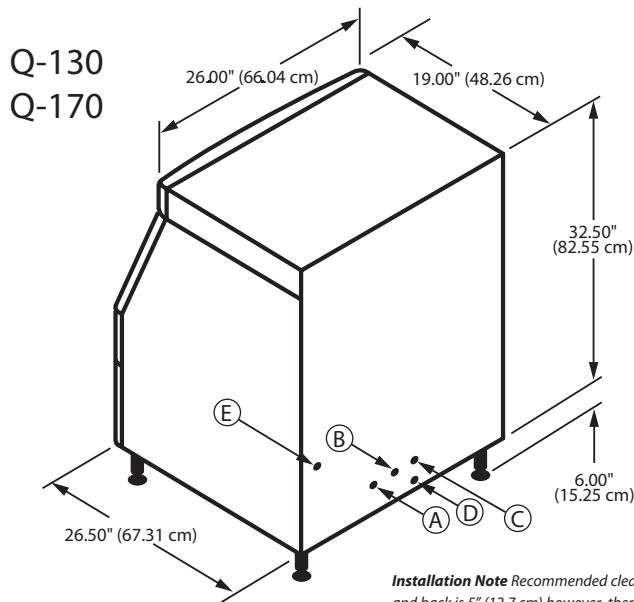
Air and Water-cooled: 15 amps

HACR-type circuit breakers can be used in place of fuses.





# Q-130/170 Ice Cube Machines



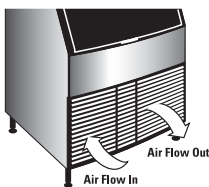
**Installation Note** Recommended clearance for top, sides, and back is 5" (12.7 cm) however, there is no minimum clearance required.

## Specifications

Model	Ice Shape	Ice Production 24 Hours				Power kWh/100 lbs. @ 90°/70°F 32°/21°C	Potable water usage gal/100 lbs. ice @90/70°F	ENERGY STAR®
		70°Air/50°F Water 21°Air/10°C Water		90°Air/70°F Water 32°Air/21°C Water				
		lbs.	kgs	lbs.	kgs			
QD-0132A	dice	135	61	90	41	12.5	39	
QD-0133W	dice	130	59	105	48	9	38	
QY-0134A	half-dice	135	61	95	43	11.8	39	
QY-0135W	half-dice	135	61	110	50	8.8	35	
QD-0172A	dice	175	79	130	59	8.8	31	★
QY-0174A	half-dice	180	82	135	61	8.5	31	★

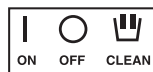
Water-cooled Condenser: Q-130: 185 gal. / 708 liters

### Air Flow Top View



Air in left, air out right, no side vents. Great for installation under countertops and next to other equipment.

### Front Access



Initiate ice, off and clean operations with simple upfront selector switch. No need to remove front panel.

### Air Filter



Slides out from left side front without tools, easy to clean, reusable filter

protects condenser from lint, grease and dust.